



DIFUSOR 44-SF-TR

Diffuser with height-adjustable central core by means of thermal component.

005_NOV06 44-SF-TR

New design

DIFUSOR 44-SF-TR

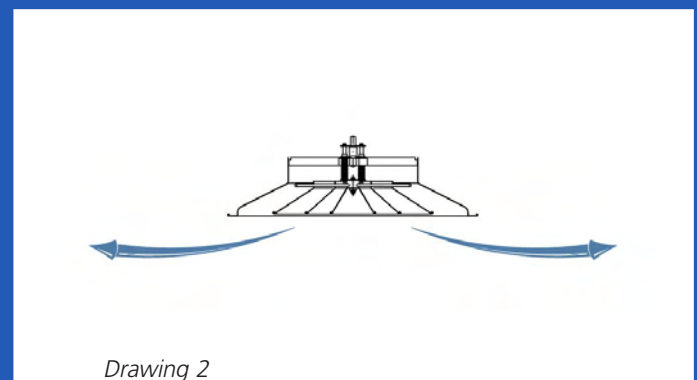
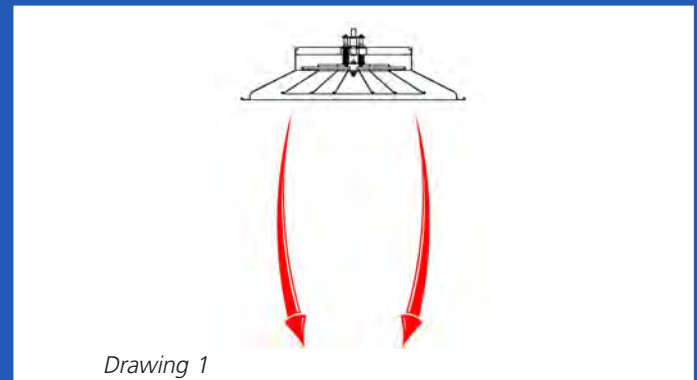


The new 44-SF-TR diffuser includes a thermal component that expands or contracts when the supply air temperature varies, by means of a mechanism that changes the cone position without the need to do this manually.

As a result, when hot air is supplied, the thermal component shifts the set of inner rings upward, causing the air to flow out vertically (drawing 1).

Likewise, when cold air is supplied, the thermal component shifts the inner rings downward, causing the air to flow out horizontally, thereby producing the Coanda or ceiling effect (drawing 2).

The new 44-SF-TR diffuser is ideal for use in high ceilings (from 4 to 7 m), preventing stratification and controlling velocity in the occupied area.



QUICK SELECTION TABLE

| HORIZONTAL | | m ³ /h (Pa) | | | | |
|------------|----------|------------------------|-----------|-----------|-----------|--|
| Size | 25 dB(A) | 30 dB(A) | 35 dB(A) | 40 dB(A) | 45 dB(A) | |
| 160 | 225 (14) | 260 (20) | 300 (27) | 350 (39) | 410 (52) | |
| 200 | 350 (9) | 410 (13) | 475 (17) | 560 (24) | 675 (35) | |
| 250 | 525 (12) | 625 (17) | 725 (23) | 875 (33) | 1025 (45) | |
| 315 | 850 (12) | 1000 (17) | 1150 (22) | 1350 (31) | 1600 (43) | |
| 355 | 975 (11) | 1150 (15) | 1380 (21) | 1650 (30) | 1950 (42) | |
| VERTICAL | | m ³ /h (Pa) | | | | |
| Size | 25 dB(A) | 30 dB(A) | 35 dB(A) | 40 dB(A) | 45 dB(A) | |
| 160 | 190 (13) | 230 (20) | 270 (27) | 320 (38) | 375 (52) | |
| 200 | 230 (8) | 285 (13) | 350 (19) | 425 (28) | 515 (42) | |
| 250 | 425 (11) | 500 (15) | 600 (21) | 725 (31) | 875 (46) | |
| 315 | 675 (11) | 800 (15) | 950 (21) | 1150 (31) | 1360 (43) | |
| 355 | 780 (10) | 925 (14) | 1100 (19) | 1300 (27) | 1550 (38) | |

MECH-ELEC,
Head Office,
41, Hawthorn Road,
Western Industrial Estate,
Dublin 12,
Eire.
Tel: +353-1-450 8822
Fax: +353-1-450 8227
E-Mail: info@mech-elec.ie
Web: http://www.mech-elec.ie