



## Difusor DGV-TR

*Thermally-driven, variable  
geometry diffuser*

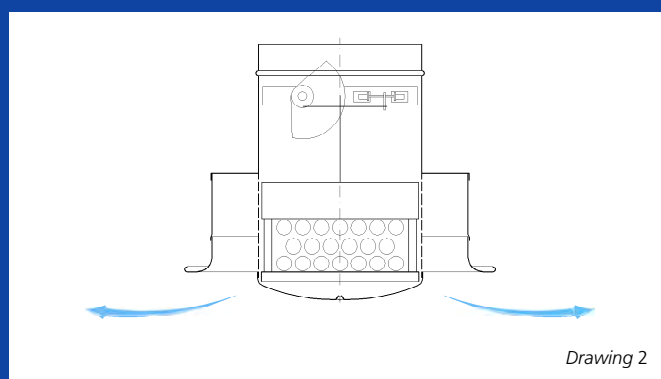
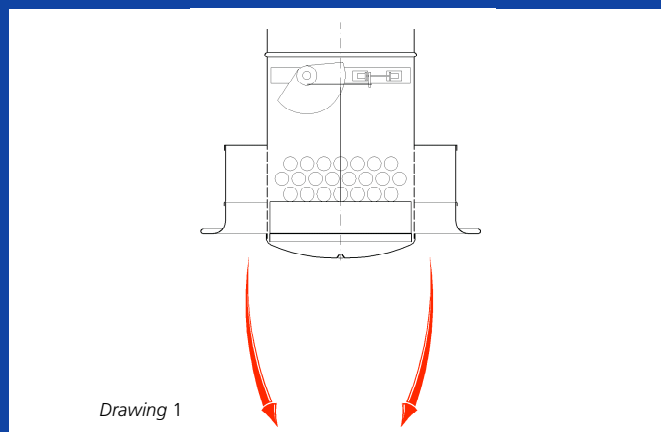
012-FEB07 DGV-TR

*New design*

# Difusor DGV-TR

The new DGV-TR diffuser includes a thermal element which expands and contracts when the supply air temperature varies, activating a mechanism which varies the position of an internal disc without it having to be done manually or by using an electric servomotor. On supplying hot air, the thermal element moves the disc upwards, causing a flow of vertical air (drawing 1). In the same way, if we supply cold air, the thermal element ensures that the disc moves downwards, causing a supply of horizontal air, thus ensuring a Coanda effect when the diffuser is fitted into the ceiling (drawing 2). Thus, the diffuser prevents the hot air from being stratified and controls residual velocities in occupied areas by supplying cold air. The DGV-TR diffuser can be used in all types of installation, both in exposed ducts and in ceilings, for a height of between 4 and 15 m. The necessary supply temperature in heat is  $\geq 30^\circ$ . A side connection plenum, with a regulation damper, can be incorporated.

Further information about technical data and dimensions in the catalogue of DLA



## SIZES AND QUICK SELECTION TABLES

DGV VERTICAL					
Size	m <sup>3</sup> /h (Pa)				
	30 dB(A)	35 dB(A)	40 dB(A)	45 dB(A)	50 dB(A)
250	482 (20)	578 (28)	692 (41)	829 (58)	993 (84)
315	605 (13)	724 (19)	867 (27)	1039 (39)	1244 (56)
400	810 (10)	970 (14)	1162 (21)	1391 (30)	1666 (43)
500	118 (10)	1339 (15)	1604 (21)	1921 (31)	2301 (44)
DGV HORIZONTAL					
Size	m <sup>3</sup> /h (Pa)				
	30 dB(A)	35 dB(A)	40 dB(A)	45 dB(A)	50 dB(A)
250	502 (21)	601 (31)	720 (44)	863 (63)	1034 (91)
315	648 (15)	777 (22)	930 (32)	1114 (45)	1334 (65)
400	894 (12)	1071 (18)	1282 (25)	1536 (36)	1840 (52)
500	1264 (13)	1514 (19)	1813 (28)	2172 (40)	2601 (57)

MECH-ELEC,  
Head Office,  
41, Hawthorn Road,  
Western Industrial Estate,  
Dublin 12,  
Eire.  
Tel: +353-1-450 8822  
Fax: +353-1-450 8227  
E-Mail: info@mech-elec.ie  
Web: <http://www.mech-elec.ie>