

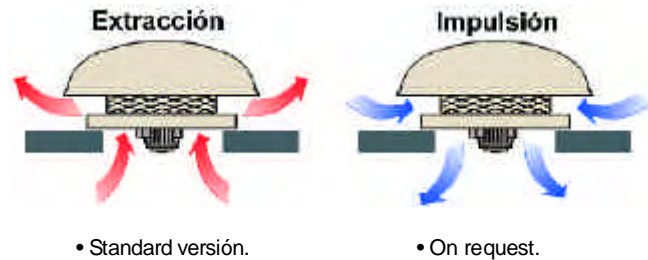


## HT

### Axial roof fans

#### Construction Characteristics

- Axial flow fans HC/HCH series.
- Rain deflector hood.
- Base-plate for roof installation.
- Protection-guard against birds.
- Corrosion-proof finish in polyester resin, polymerised at 180°C, after degreasing, phosphating and passivation pre-treatment.



• Standard versión.

• On request.

#### Technical characteristics

Model	Velocity (r/min)	Max. admissible current (A)			Installed power (kW)	Max. airflow (m <sup>3</sup> /h)	Sound <sup>(1)</sup> level pressure dB(A)		Approx. weight Kg.
		230V	400V	690V			Aspiration	Discharge	
HT-25-4T	1450	0,60	0,35		0,10	1080	41	40	12,5
HT-25-4M	1450	0,63			0,10	1080	41	40	12,5
HT-31-4T	1430	0,64	0,37		0,10	1800	47	46	13,3
HT-31-4M	1430	0,75			0,10	1800	47	46	13,5
HT-35-4T	1360	0,72	0,42		0,10	2600	48	47	17,5
HT-35-4M	1360	0,87			0,10	2600	48	47	17,5
HT-40-4T	1400	1,82	1,05		0,25	4600	51	50	21,0
HT-40-4M	1400	2,18			0,25	4600	51	50	21,0
HT-45-4T	1380	2,08	1,20		0,37	6500	55	53	29,0
HT-45-4M	1375	3,10			0,37	6500	55	54	30,5
HT-50-4T	1380	2,94	1,70		0,55	8500	59	57	36,0
HT-50-4M	1350	4,40			0,55	8500	59	57	39,0
HT-56-4T	1450	3,46	2,00		0,75	9800	61	57	35,0
HT-56-4M	1450	4,40			0,75	9800	61	57	37,0
HT-56-6T	950	1,47	0,85		0,25	6600	48	46	46,0
HT-56-6M	950	2,00			0,25	6600	48	46	46,0
HT-63-4T	1450	5,20	3,00		1,10	14000	63	59	65,8
HT-63-6T	950	2,11	1,22		0,37	9200	52	49	61,8
HT-63-6M	950	2,80			0,37	9200	52	49	61,8
HT-71-4T	1450	6,41	3,70		1,50	18000	69	67	64,0
HT-71-6T	950	2,96	1,71		0,55	12200	58	56	64,9
HT-71-6M	950	4,00			0,55	12200	58	56	64,9
HT-80-4T	1450	8,92	5,15		2,20	26200	73	70	87,8
HT-80-6T	950	5,80	3,35		1,10	18000	64	61	81,8
HT-90-4T	1450	11,78	6,80		3,00	31500	77	74	94,0
HT-90-6T	950	7,62	4,40		1,50	21200	68	65	91,0
HT-100-4T-7,5	1450		11,90	6,90	5,50	37000	80	77	114,0
HT-100-4T-10	1450		16,90	9,80	7,50	44000	84	81	125,0
HT-100-6T-2	940	7,62	4,40		1,50	25000	71	68	102,0
HT-100-6T-3	960	10,05	5,80		2,20	28200	75	72	106,0
HT-100-8T-1,5	700	6,32	3,65		1,10	19050	64	61	103,0
HT-100-8T-2	710	7,36	4,25		1,50	21100	66	63	114,0

<sup>(1)</sup> Sound level values are pressures in dB (A) measured free-field at 6 metres.



# HT

## Accoustic characteristics

The values shown are calculated using free-field sound pressure levels in dB (A), at a distance equivalent to twice the fan span plus the impeller diameter, with a minimum of 6 m.

Sound power spectrum Lw(A) in dB(A) by frequency band in Hz.

Values measured aspirating with maximum airflow (Qmax)

Model	63	125	250	500	1000	2000	4000	8000
25	27	37	54	54	62	58	51	42
31	33	43	60	60	68	64	57	48
35	34	44	61	61	69	65	58	49
40	28	45	57	65	70	70	66	59
45	32	49	61	69	74	74	70	63
50	36	53	65	73	78	78	74	67
56-4	38	55	67	75	80	80	76	69
56-6	25	42	54	62	67	67	63	56
63-4	40	57	69	77	82	82	78	71
63-6	29	46	58	66	71	71	67	60
71-4	46	63	75	83	88	88	84	77
71-6	35	52	64	72	77	77	73	66
80-4	57	78	85	90	93	89	82	71
80-6	48	69	76	81	84	80	73	62
90-4	61	82	89	94	97	93	86	75
90-6	52	73	80	85	88	84	77	66
100-4-7,5	64	85	92	97	100	96	89	78
100-4-10	68	89	96	101	104	100	93	82
100-6-2	55	76	83	88	91	87	80	69
100-6-3	59	80	87	92	95	91	84	73
100-8-1,5	48	69	76	81	84	80	73	62
100-8-2	50	71	78	83	86	82	75	64

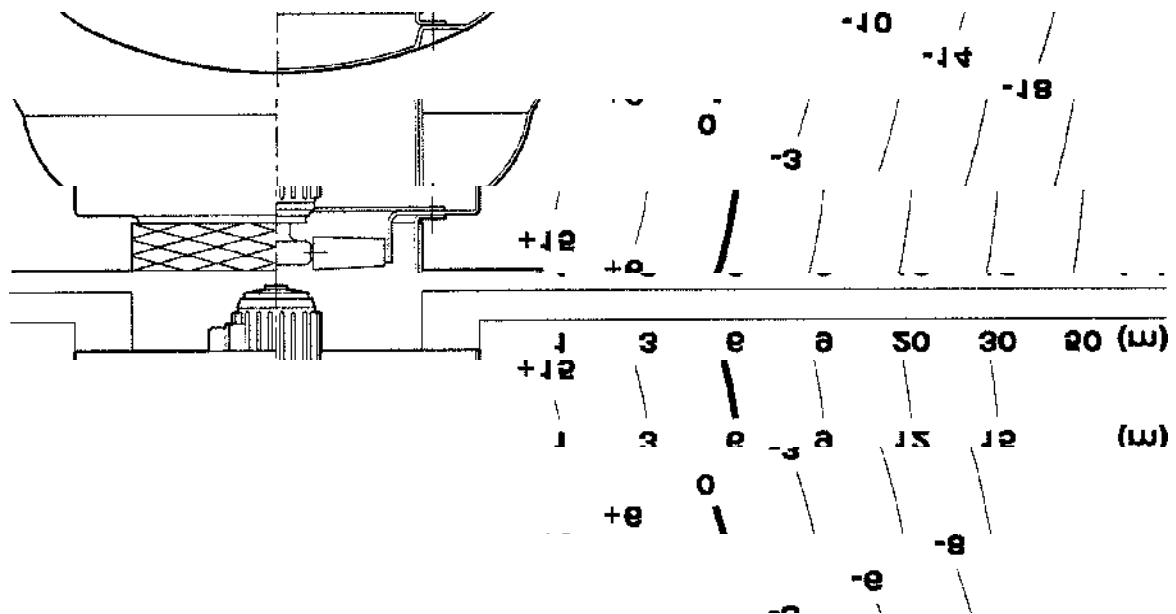
Values measured at discharge with maximum airflow (Qmax)

Model	63	125	250	500	1000	2000	4000	8000
25	26	36	53	53	61	57	50	41
31	32	42	59	59	67	63	56	47
35	33	43	60	60	68	64	57	48
40	27	44	56	64	69	69	65	58
45	30	47	59	67	72	72	68	61
50	34	51	63	71	76	76	72	65
56-4	34	51	63	71	76	76	72	65
56-6	23	40	52	60	65	65	61	54
63-4	36	53	65	73	78	78	74	67
63-6	26	43	55	63	68	68	64	57
71-4	44	61	73	81	86	86	82	75
71-6	33	50	62	70	75	75	71	64
80-4	54	75	82	87	90	86	79	68
80-6	45	66	73	78	81	77	70	59
90-4	58	79	86	91	94	90	83	72
90-6	49	70	77	82	85	81	74	63
100-4-7,5	61	82	89	94	97	93	86	75
100-4-10	65	86	93	98	101	97	90	79
100-6-2	52	73	80	85	88	84	77	66
100-6-3	56	77	84	89	92	88	81	70
100-8-1,5	45	66	73	78	81	77	70	59
100-8-2	47	68	75	80	83	79	72	61



## Variation of sound pressure according to distance:

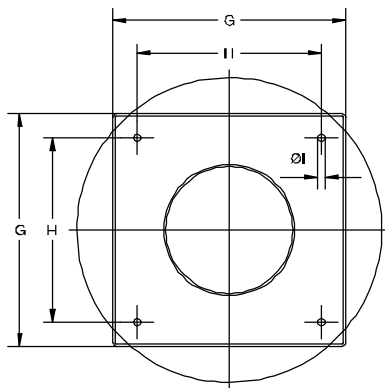
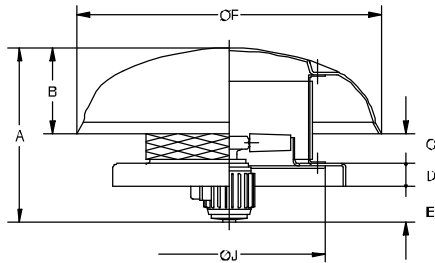
The sound level can vary depending on the roof structure.





# HT

## Dimensions



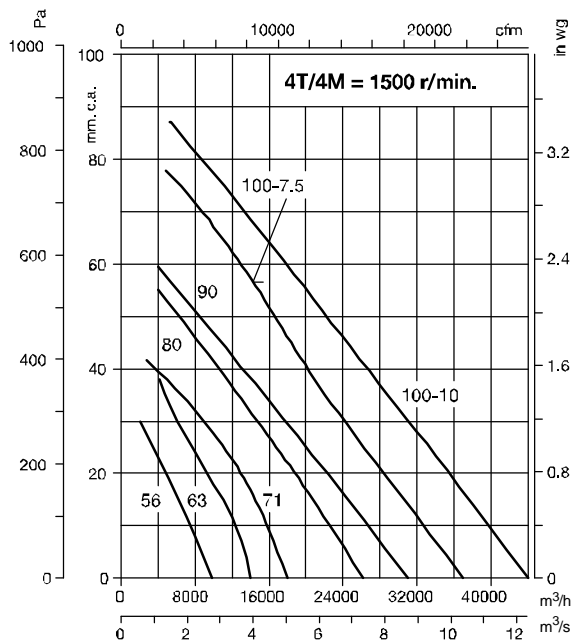
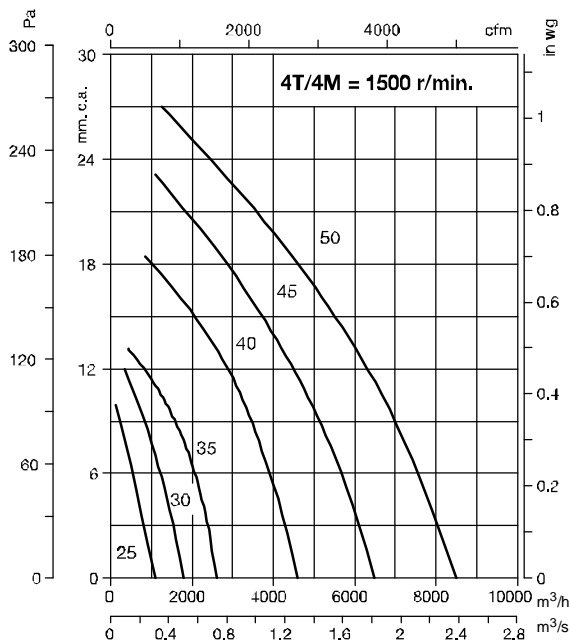
Mod.	A	B	C	D	E	ØF	G	H	ØI	ØJ
HT-25	343	176	39	40	88	620	450	360	12	346
HT-31	363	176	59	40	88	620	500	410	12	416
HT-35	413	228	57	40	88	770	560	450	12	486
HT-40	478	228	82	40	128	770	630	530	12	536
HT-45-4T	550	266	88	50	146	960	710	590	12	596
HT-45-4M	512	266	88	50	108	960	710	590	12	596
HT-50-4T	575	296	83	50	146	1090	800	680	12	676
HT-50-4M	558	296	83	50	129	1090	800	680	12	676
HT-56-4T	607	296	117	40	154	1090	900	750	14	758
HT-56-4M	590	296	117	40	137	1090	900	750	14	758
HT-56-6	589	296	117	40	136	1090	900	750	14	758
HT-63-4	714	357	136	40	182	1285	1000	850	14	735
HT-63-6	667	357	136	40	135	1285	1000	850	14	735
HT-71-4T	740	357	166	40	178	1285	1000	850	14	815
HT-71-6	689	357	166	40	178	1285	1000	850	14	815
HT-80-4	853	440	174	50	189	1580	1150	1000	14	905
HT-80-6	817	440	174	50	153	1580	1150	1000	14	905
HT-90-4	892	440	213	50	189	1580	1150	1000	14	1020
HT-90-6	896	440	213	50	193	1580	1150	1000	14	1020
HT-100-4T	997	440	284	50	223	1580	1250	1100	14	1120
HT-100-6T-2	940	440	284	50	166	1580	1250	1100	14	1120
HT-100-6T-3	957	440	284	50	183	1580	1250	1100	14	1120
HT-100-8T-1'5	940	440	284	50	166	1580	1250	1100	14	1120
HT-100-8T-2	957	440	284	50	183	1580	1250	1100	14	1120



## Characteristics Curves

Q = Airflow in m<sup>3</sup>/h. and m<sup>3</sup>/s.

Pe = Static pressure in mm.c.a. and Pa.



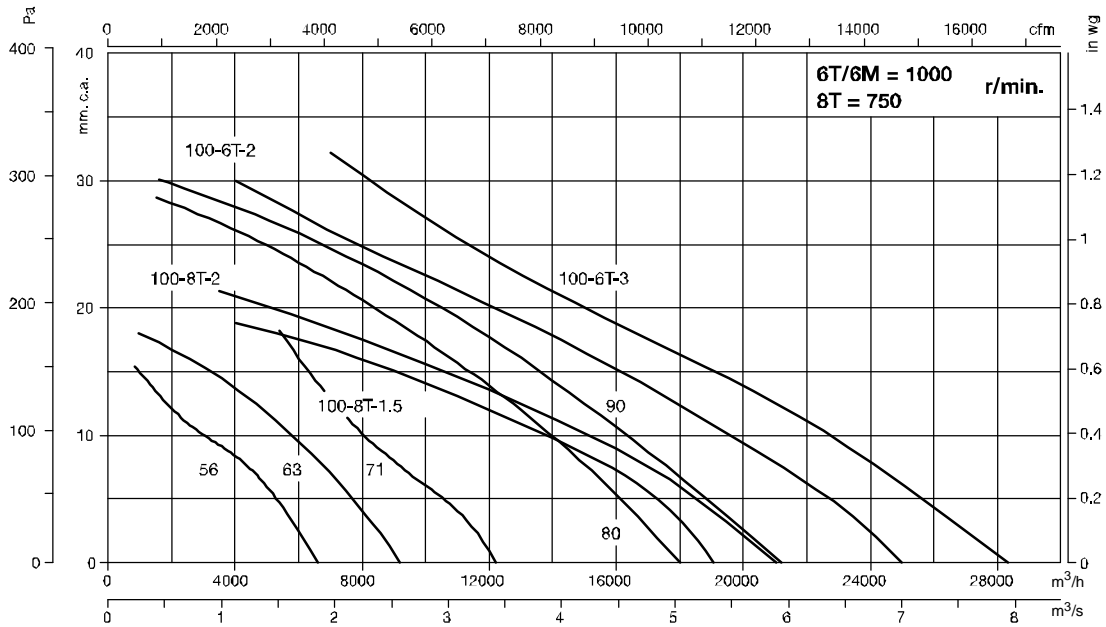


# HT

## Characteristics Curves

Q = Airflow in m<sup>3</sup>/h. and m<sup>3</sup>/s.

Pe = Static pressure in mm.c.a. and Pa.



## Accessories

See pages 248 onwards.

