

BD 9/9 M4 0,35kW (251220260)

GENERAL DATA



FAN DOUBLE INLET

MANUFACTURING FEATURES:

- Galvanised steel sheet housing.
- Double inlet forward curved impeller in all models. Turbine fiber reinforced glass sizes 7-7, 9-9, 10/10 and 12/12. Other models in galvanized sheet.
- Supplied with mounting feet (included in price).
- Exclusive system Casals fixing motor and turbine fan by flexible arms silent blocks to avoid any vibration. Arms in compliance with ROHS regulations 2002/95 / EC (Restriction of Hazardous Substances in electrical and electronic equipment)
- Closed motors specially designed Casals: extruded aluminum housing, all protected inside the terminal box, built-in motor.
- Motor with IP55 protection and Class F insulation standard voltages: 230V 50Hz in single phase and 230/400V 50Hz three-phase.
- Single phase voltage controllable. Adjustable phase models suitable for inverter.

APPLICATIONS:

Designed for assembly in equipment:

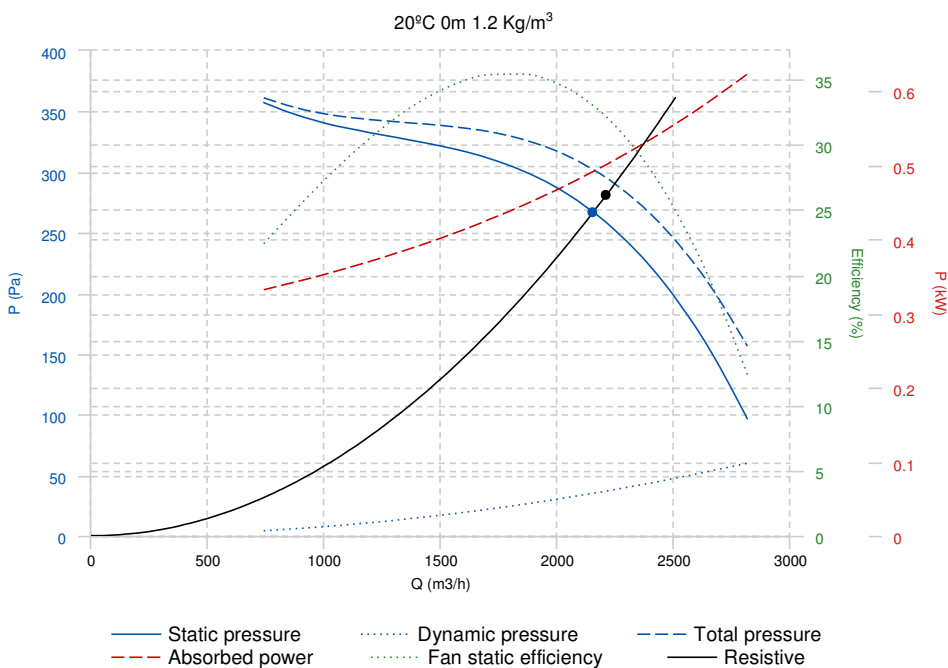
- Ventilation boxes and air handling units.
- Centrifugal heaters.
- Industrial and professional kitchen hoods.
- Maximum working temperature: 50°C.

UNDER REQUEST

- Impeller made of galvanized steel sheet.
- assembled

* While stocks last.

PERFORMANCE CURVE



Design point

Flow (m ³ /h)	2210.53
Pressure (Pa)	281.2

Service point

T.max (°C)	50
Q (m ³ /h)	2154.17
P _s (Pa)	267
P _d (Pa)	35.07
P _t (Pa)	302.07
Speed (m/s)	7.65
P _{abs} (kW) 1.2 Kg/m ³	0.49

TECHNICAL DATA

Fan

RPM	1375
-----	------

Approx. weight	12 kg
----------------	-------

Max. Flow	2820 m3/h
-----------	-----------

Motor

Power	0.35 kW
-------	---------

reports.motor_rpm	1375
-------------------	------

Capacitor	18μF 400V
-----------	-----------

I max. (230V)	2,7 A
---------------	-------

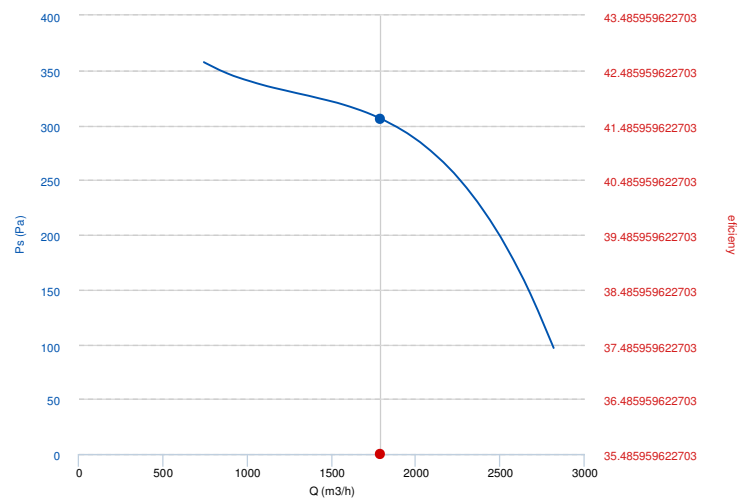
Size	80
------	----

Approx. weight	6.4 kg
----------------	--------

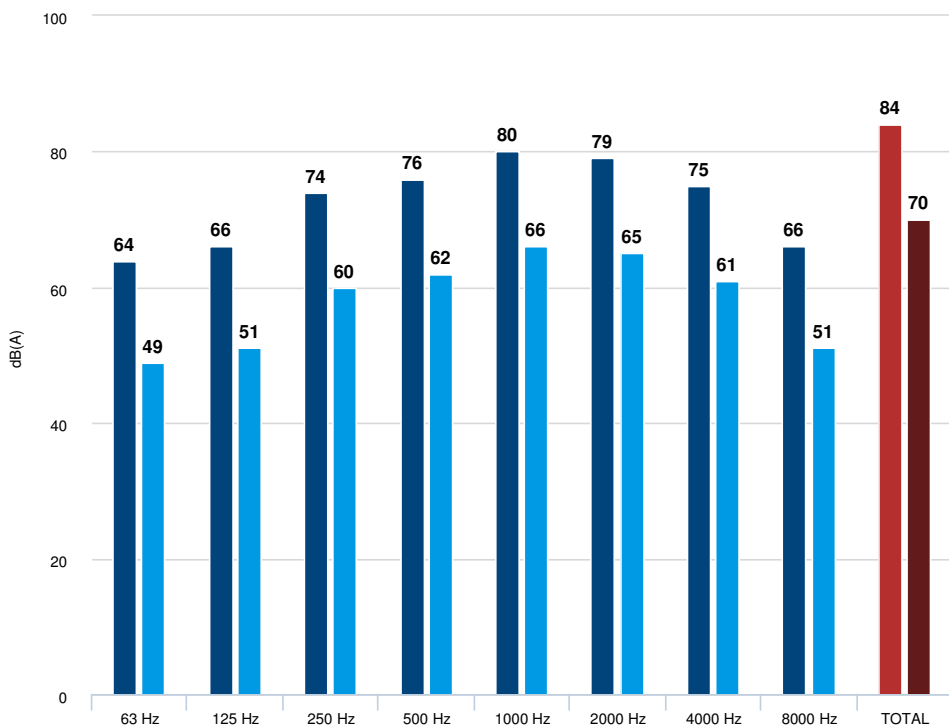
FP	0,98
----	------

ERP DATA

Fan data sheet			
Fan type	Centrifugal fan radial or forward blades		
Installation category	A	Outlet and Inlet free discharge	
Efficiency category	erp.cat_efistatic		
The fan has to be installed with VF	No		
Motor power (kW)	0.35		
	Fan values	ERP Requirements	
		2013	2015
Max. efficiency (%)	35.49	28.41	35.41
Efficiency grade (N)	44.08	37	44
Pabs (kW)	0.438		
reports.flow (m3/h)	1790.28		
Static pressure (Pa)	305.88		
speed (rpm)	1375		
Specific ratio	1.00		



ACOUSTIC DATA



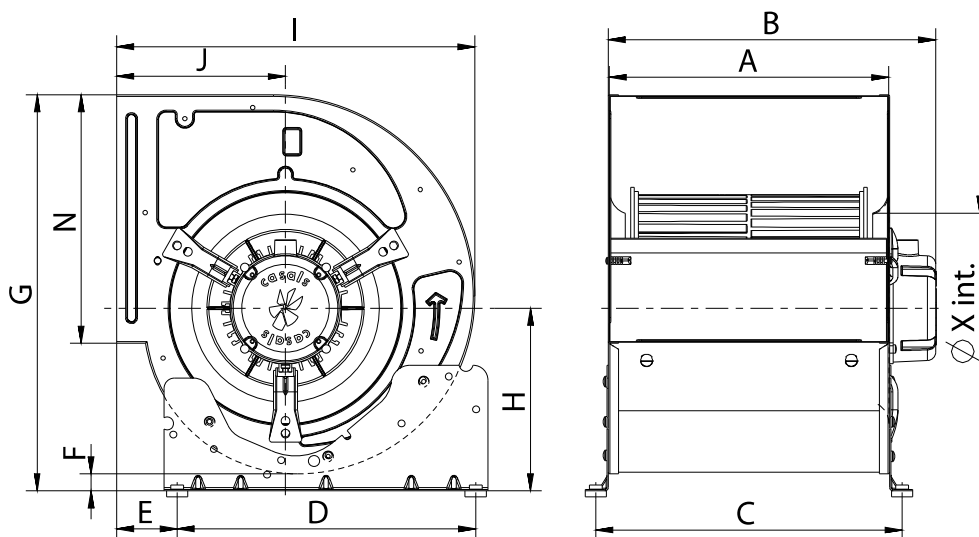
Sound power

63 Hz	64
125 Hz	66
250 Hz	74
500 Hz	76
1000 Hz	80
2000 Hz	79
4000 Hz	75
8000 Hz	66
TOTAL	84

Sound pressure 1.5 metre (in)

63 Hz	49
125 Hz	51
250 Hz	60
500 Hz	62
1000 Hz	66
2000 Hz	65
4000 Hz	61
8000 Hz	51
TOTAL	70

DIMENSIONS



Dimensions (mm)

A	301
F	19
N	260

B max	354,5
G	407
X	202

C	330
H	191

D	245
I	376

E	70
J	184

WIRING DIAGRAM

SINGLE PHASE MOTOR
MOTOR MONOFÁSICO

