



TCR

400°C/2h Centrifugal fans

Construction characteristics

- Series with LGAI certification, in accordance with the EN 12101-3 European Standard.
- TCR series centrifugal fans permit OPERATION WITHIN temperatures of up to 400°C/2 h.
50 Hz three-phase motors with IP-55 protection and LGAI or CTICM certification
- Housing and turbine made of rolled steel.
- Corrosion-proof finish in polyester resin, polymerised at 180°C, after degreasing, phosphating and passivation pre-treatment.
Turbine finished in heat-resistant paint
- On request:
 - Fans with motors for temperatures up to 200°C/2h.
 - Fans with two speed motors for temperatures of 200°C/2h and 400°C/2h.
 - Belt-driven fans.



Technical characteristics

Model	Velocity (r/min)	Max. admissible current (A)			Installed power (kW)	Max. airflow (m3/h)	Sound level pressure dB(A)	Approx. weight Kg.
		230V	400V	690V				
TCR-1240-4T	1430	3,50	2,00		0,75	5800	71	79,5
TCR-1445-4T	1430	4,80	2,80		1,10	8030	72	100,5
TCR-1650-4T	1420	6,20	3,60		1,50	10500	74	121,0
TCR-1650-6T	950	4,70	2,70		0,75	7410	64	120,0
TCR-1856-4T	1430	11,80	6,80		3,00	15150	79	175,0
TCR-1856-6T	955	5,90	3,40		1,10	10050	70	170,5
TCR-2063-4T	1460		12,60	7,30	5,50	24450	80	260,0
TCR-2063-6T	950	6,70	3,90		1,50	16100	71	232,5
TCR-2271-4T	1460		22,00	12,70	11,00	34610	85	343,0
TCR-2271-6T	970	13,50	7,80		3,00	22750	76	314,5



Acoustic characteristics

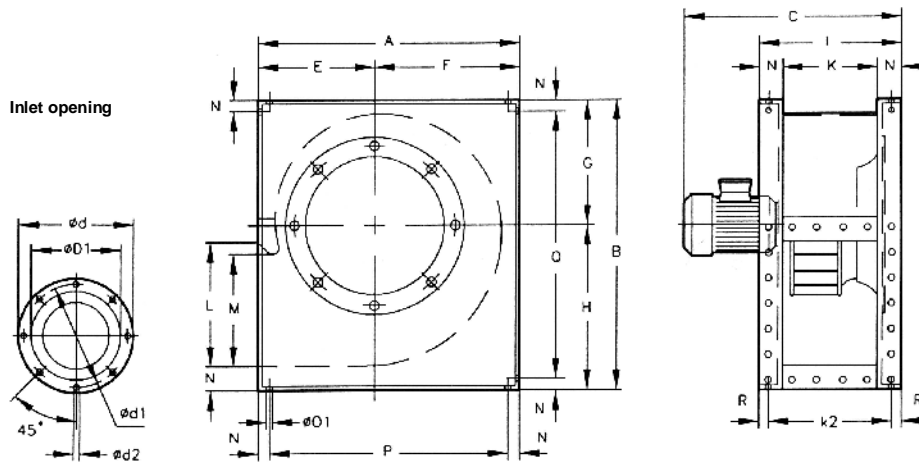
The values shown are calculated using free-field sound pressure levels in dB (A), at a distance equivalent to twice the fan span plus the impeller diameter, with a minimum of 1.5 m.

Sound power spectrum Lw(A) in dB(A) by frequency band in Hz.

Model	63	125	250	500	1000	2000	4000	8000	Model	63	125	250	500	1000	2000	4000	8000
1240	56	70	76	79	79	80	70	59	1856-6	61	69	81	83	80	81	71	60
1445	59	72	78	83	80	83	78	64	2063-4	80	85	91	93	91	88	81	73
1650-4	64	74	82	84	83	85	76	66	2063-6	69	70	82	82	81	83	73	63
1650-6	53	65	72	77	73	69	62	54	2271-4	83	84	93	96	98	99	95	82
1856-4	69	78	91	87	90	91	85	71	2271-6	73	73	87	86	90	90	79	68

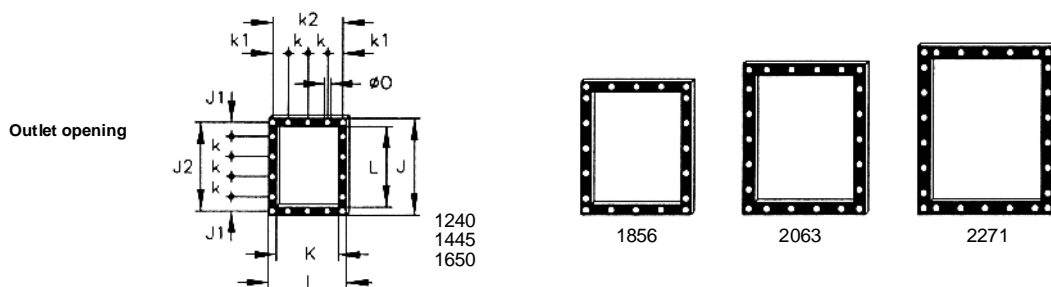
TCR

Dimensions mm



Model	A	B	C	ØD1*	Ød	Ød1	Ød2	E	F	G	H	M	N	ØO1	P	Q	R
1240-4T	673	790	612	400	472	444	M.8	305	368	310	480	358	40	11	593	710	20
1445-4T	765	880	657	450	522	494	M.8	350	415	339	541	404	45	11	685	800	20
1650-4T	832	970	685	500	582	555	M.10	375	457	378	592	445	45	13	752	890	20
1650-6T	832	970	703	500	582	555	M.10	375	457	378	592	445	45	13	752	890	20
1856-4T	925	1084	806	560	645	615	M.10	415	510	426	658	493	50	13	825	984	25
1856-6T	925	1084	806	560	645	615	M.10	415	510	426	658	493	50	13	825	984	25
2063-4T	1037	1218	918	630	720	688	M.10	465	572	477	741	530	60	13	917	1098	30
2063-6T	1037	1218	867	630	720	688	M.10	465	572	477	741	530	60	13	917	1098	30
2271-4T	1173	1375	1130	710	800	768	M.12	525	648	538	837	603	65	13	1043	1245	32,5
2271-6T	1173	1375	984	710	800	768	M.12	525	648	538	837	603	65	13	1043	1245	32,5

* Recommended nominal tube diameter.



Model	I	J	J1	J2	K	k	k1	k2	L	ØO
1240	395	480	70	440	315	100	77,5	355	400	11
1445	445	540	99	498	355	100	102,5	405	450	11
1650	490	590	87,5	550	400	125	100	450	500	13
1856	550	660	55	610	450	125	125	500	560	13
2063	620	750	95	690	500	125	92,5	560	630	13
2271	690	840	75	775	560	125	62,5	625	710	13

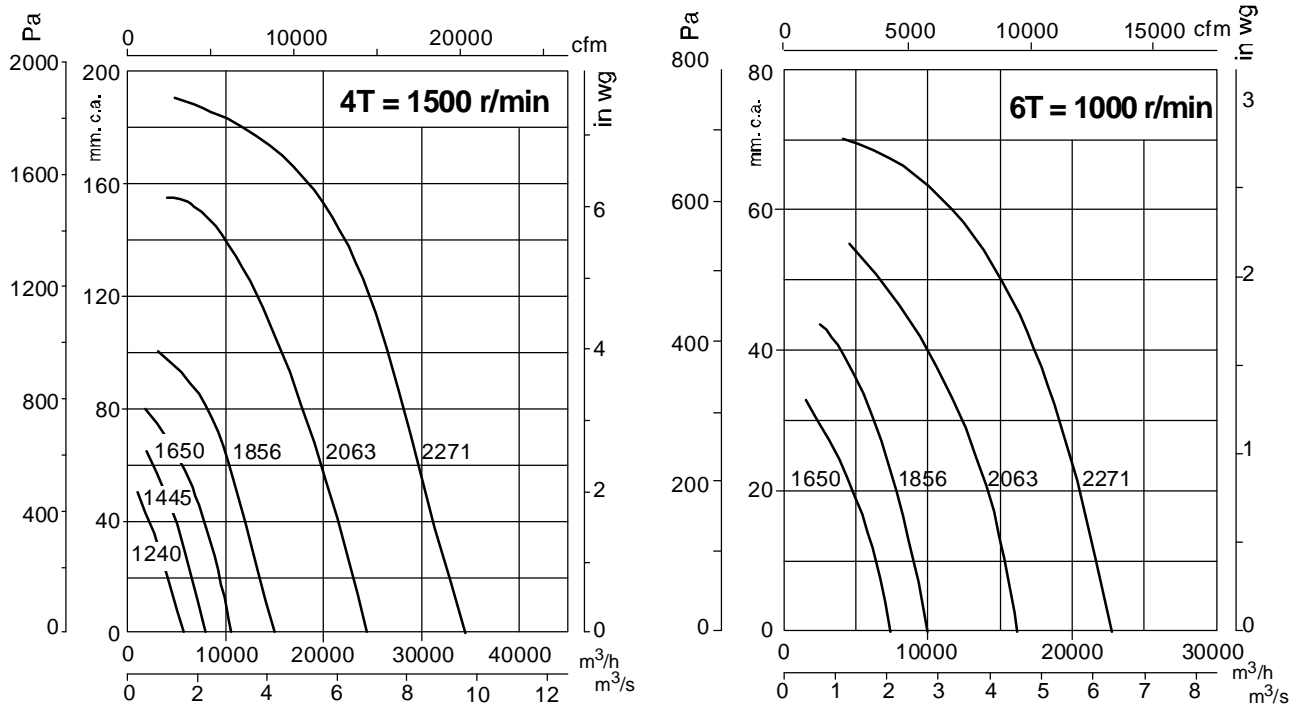




TCR

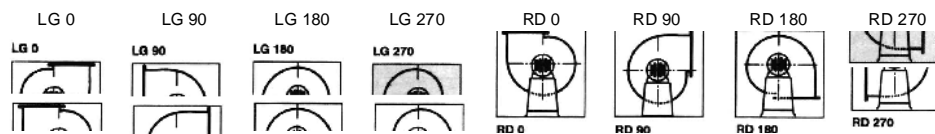
Characteristics Curves

Q = Airflow in m³/h. and m³/s.
Pe = Static pressure in mm.c.a. and Pa.



Orientation

LG 270 standard supply.



Accessories

See pages 248 onwards.

