



THT/IMP

Single direction or 100% reversible circular or rectangular long-range impulsion fans

This series of fans has different construction designs, to be installed according to requirements for optimum smoke extraction:

THT/IMP-C/UNI: Circular and single-direction impulsion fans, with two speed motor.

THT/IMP-C/REV: Circular and 100% reversible impulsion fans, with two speed motor.

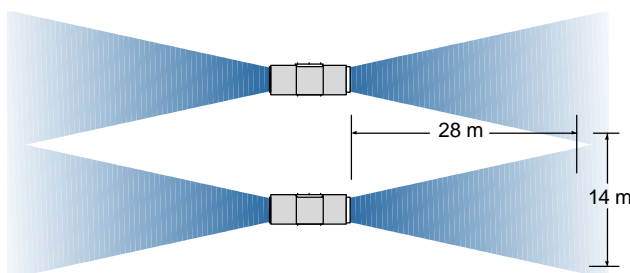
THT/IMP-R/UNI: Rectangular and single-direction impulsion fans, with two speed motor.

THT/IMP-R/REV: Rectangular and 100% reversible impulsion fans, with two speed motor.



Construction characteristics

- Sets with single direction and reversible fan + silencers + deflectors + certified support for 400°C/2h and 200°C/2h smoke extraction, meeting European standard EN-12101-3. 31 and 35 diameters, 200°C/2h only.
- Anti-corrosive galvanised sheet steel casing, rectangular for model THT/IMP-R and circular for THT/IMP.
- Inspection hatch for access to motor.
- Aluminium impellers with variable pitch, specially designed for optimum impulsion.
- Highly effective silencers with thermal and acoustic insulation, certified to 400°C/2H.
- Protection guard against birds, meeting standard DIN-24167 in SINGLE DIRECTION models.
- Deflector to increase airflow range on the outlet side of fans. REVERSIBLE models equipped with DEFLECTORS on both sides.
- 50 Hz three-phase motors, with IP-55 protection certified by LGAI or CTICM. TWO speed with DHALANDER type winding.
- Base plate specially designed to support the entire unit, with anti-vibration damper springs from 500 mm diameter upwards.
- IAT-200 series safety switch standardised to 200°C/2h meeting European standard EN-1201-3, built into the THT/IMP-R (Rectangular) fan.
- On request:
 - ONE speed motors for temperatures of 400°C/2h and 200°C/2h.
 - IAT-200 series safety switch standardised to 200°C/2h built into the circular fan.
 - Different impulsion power from that described above.



Model	D(m)	L(m)
THT/IMP-C-31	10	20
THT/IMP-C-35	12	24
THT/IMP-C-38	14	28
THT/IMP-R-38	14	28
THT/IMP-C-40	15	28
THT/IMP-R-40	15	28
THT/IMP-C-45	17	34
THT/IMP-C-50	21	42
THT/IMP-C-56	25	50
THT/IMP-C-63	30	60
THT/IMP-C-71	25	50



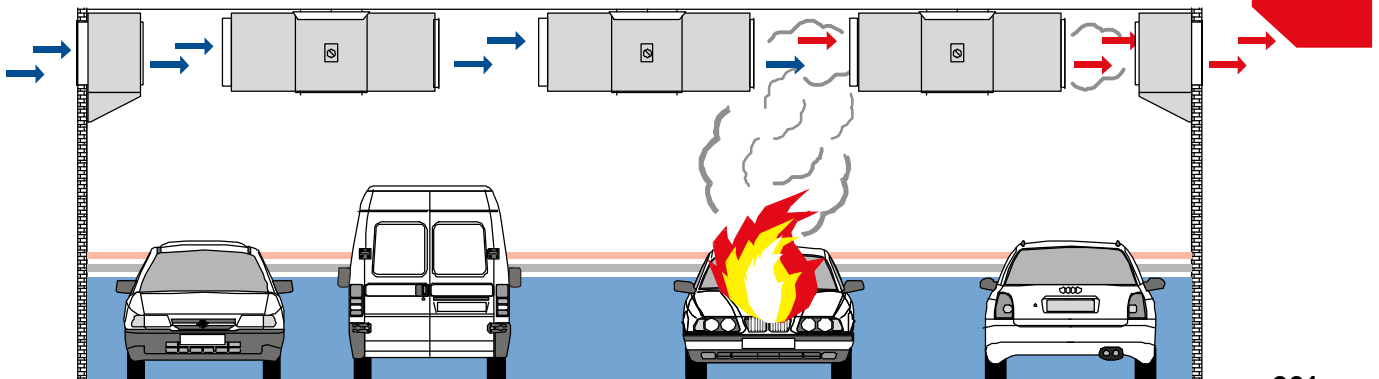
THT/IMP

Technical characteristics

Model	Velocity (r/min)	Max. admissible current (A) 400V	Airflow (m3/h)	Thrust (N)	Outlet velocity m/s	Installed power (kW)	Sound pressure LpA a 10m dB(A)	Approx. weight Kg.
SINGLE DIRECTION IMPULSE fans								
THT/IMP-C-UNI-31-2/4T	2880/1420	1,25/0,45	4260/2130	21/5	15,6/7,8	0,55/0,11	51/45	57,0
THT/IMP-C-UNI-35-2/4T	2890/1415	1,90/0,70	6360/3180	36/9	17,8/8,9	0,85/0,20	52/46	61,0
THT/IMP-C-UNI-38-2/4T-1,5	2905/1440	2,50/0,90	8450/4225	57/15	20,7/10,3	1,10/0,25	47/41	85,0
THT/IMP-R-UNI-38-2/4T-1,5	2905/1440	2,50/0,90	8450/4225	57/15	20,7/10,3	1,10/0,25	42/36	141,0
THT/IMP-C-UNI-40-2/4T-1,5	2905/1440	2,50/0,90	9250/4625	60/15	20,4/10,2	1,10/0,25	53/47	94,0
THT/IMP-R-UNI-40-2/4T-1,5	2905/1440	2,50/0,90	9250/4625	60/15	20,4/10,2	1,10/0,25	48/42	145,0
THT/IMP-C-UNI-45-2/4T-2	2935/1450	3,80/1,20	10800/5400	62/15	18,1/9,0	1,50/0,37	57/51	125,0
THT/IMP-C-UNI-45-2/4T-3	2860/1460	4,60/1,80	13200/6600	92/23	22,1/11,0	2,20/0,60	58/52	127,0
THT/IMP-C-UNI-50-2/4T-6	2870/1460	8,40/3,10	19700/9850	165/41	26,4/13,2	4,50/1,30	60/54	210,0
THT/IMP-C-UNI-56-2/4T-12	2910/1460	17,50/6,00	27900/13950	278/69	31,5/15,7	9,00/2,50	64/58	273,0
THT/IMP-C-UNI-63-2/4T-18	2965/1480	27,20/7,50	38800/19400	411/103	33,5/16,8	13,50/3,30	68/62	323,0
THT/IMP-C-UNI-71-4/8T-4	1430/710	6,50/2,30	26600/13300	157/39	18,7/9,3	3,00/0,60	65/59	279,0

REVERSIBLE IMPULSE fans

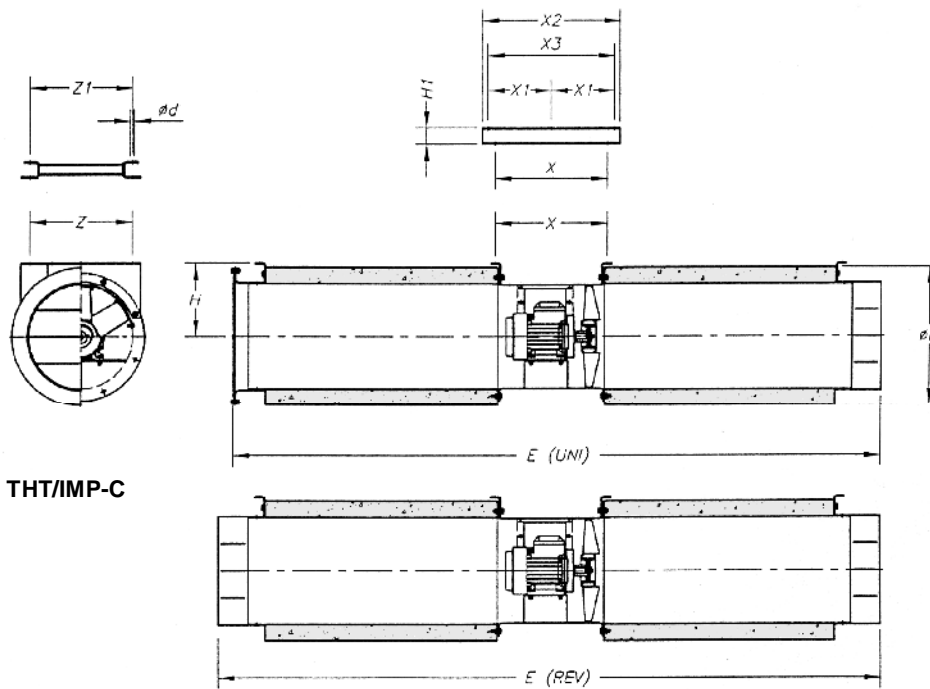
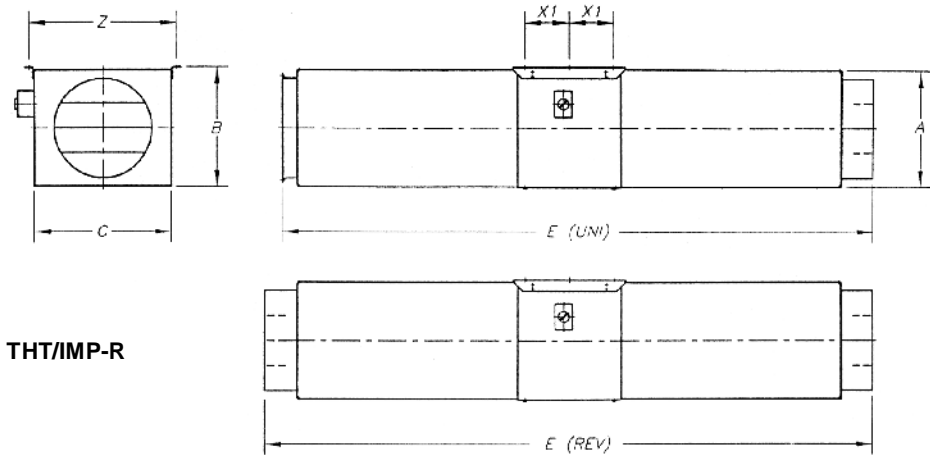
THT/IMP-C-REV-31-2/4T	2880/1420	1,25/0,45	3840/1920	17/4	14,1/7,0	0,55/0,11	50/44	57,0
THT/IMP-C-REV-35-2/4T	2890/1415	1,90/0,70	5940/2970	31/8	16,7/8,3	0,85/0,20	51/45	61,0
THT/IMP-C-REV-38-2/4T-2	2935/1450	3,80/1,20	8200/4100	54/14	20,1/10,0	1,50/0,37	49/43	85,0
THT/IMP-R-REV-38-2/4T-2	2935/1450	3,80/1,20	8200/4100	54/14	20,1/10,0	1,50/0,37	49/43	141,0
THT/IMP-C-REV-40-2/4T-2	2935/1450	3,80/1,20	9250/4625	60/15	20,4/10,2	1,50/0,37	52/46	94,0
THT/IMP-R-REV-40-2/4T-2	2935/1450	3,80/1,20	9250/4625	60/15	20,4/10,2	1,50/0,37	52/46	145,0
THT/IMP-C-REV-45-2/4T-2	2935/1450	3,80/1,20	10300/5150	56/14	17,2/8,6	1,50/0,37	56/50	125,0
THT/IMP-C-REV-45-2/4T-3	2860/1460	4,60/1,80	12800/6400	87/22	21,4/10,7	2,20/0,60	57/51	127,0
THT/IMP-C-REV-50-2/4T-6	2870/1460	8,40/3,10	19000/9500	153/38	25,4/12,7	4,50/1,30	60/54	210,0
THT/IMP-C-REV-56-2/4T-12	2910/1460	17,50/6,00	27000/13500	261/65	30,5/15,2	9,00/2,50	63/57	273,0
THT/IMP-C-REV-63-2/4T-18	2965/1480	27,20/7,50	37800/18900	390/98	32,6/16,3	13,50/3,30	67/61	323,0
THT/IMP-C-REV-71-4/8T-4	1430/710	6,50/2,30	26000/13000	150/37	18,2/9,1	3,00/0,60	64/58	279,0



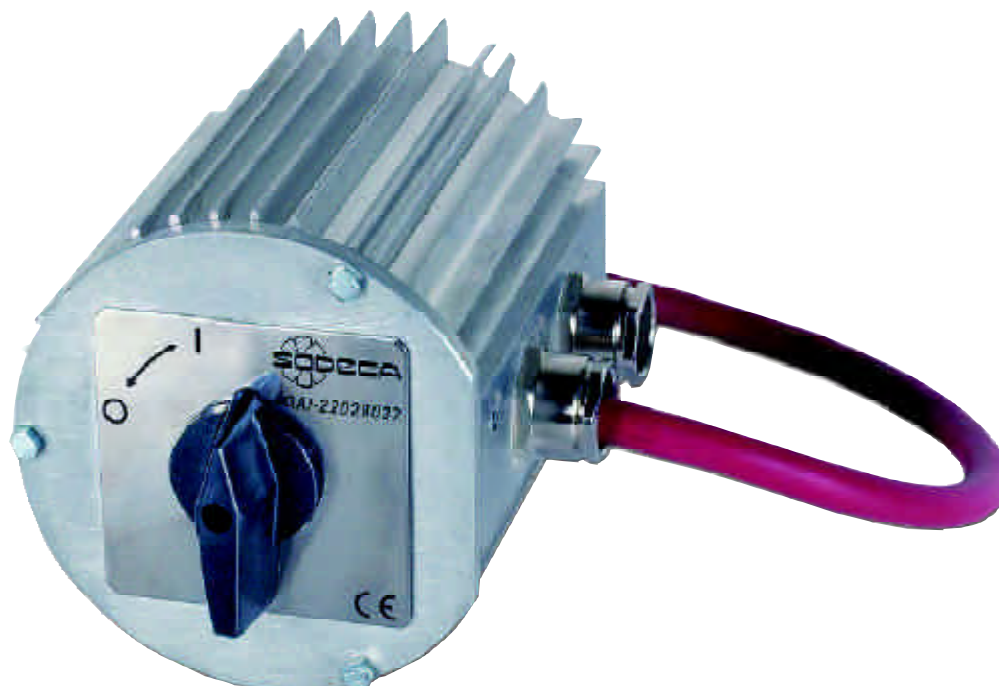


THT/IMP

Dimensions mm



Model	A	B	C	ØD	Ød	E(UNI)	E(REV)	H	H1	X	X1	X2	X3	Z	Z1
THT/IMP-C-31	-	-	-	415	10	1956	2000	220	-	335	-	-	-	-	-
THT/IMP-C-35	-	-	-	460	12	1960	2005	250	-	336	-	-	-	-	-
THT/IMP-C-38	-	-	-	415	11	2570	2620	210	-	-	-	600	530	-	500
THT/IMP-R-38	406	421	600	-	12	2600	2676	-	-	-	193	-	-	640	-
THT/IMP-C-40	-	-	-	510	12	2485	2540	280	-	368	-	-	-	-	-
THT/IMP-R-40	503	518	600	-	12	2600	2676	-	-	-	193	-	-	640	-
THT/IMP-C-45	-	-	-	630	12	2500	2554	355	-	385	-	-	-	-	-
THT/IMP-C-50	-	-	-	710	12	2895	2950	410	80	508	320	700	-	380	370
THT/IMP-C-56	-	-	-	750	12	3145	3200	503	80	558	345	750	-	475	465
THT/IMP-C-63	-	-	-	800	14	3295	3350	435	80	706	418	900	-	550	540
THT/IMP-C-71	-	-	-	900	12	3145	3200	510	80	558	345	750	-	475	465



Mech-Elec has the only certified safety switches for smoke extraction at 200°C/2h

Mech-Elec has the only officially laboratory certified safety switches for smoke extraction at 200°C/2h, in compliance with European standard EN-12101-3, file n° 22028037.

IAT-200 SERIES It is becoming more and more commonplace to incorporate security switches at the foot of rotary machines, in accordance with the IEC-947-3 standard. In smoke evacuation facilities this requirement is more complicated because the switches also have to withstand the temperature caused by smoke in the case of fire.

Construction Characteristics:

- Switch with LGAI certification according to European regulation EN 12101-3.
- Built according to VDE, IEC, BS, UTE, KEMA standards.
- Mounted inside sealed aluminium box, with ventilation slats for better thermal insulation.
- IP 54 protection.
- Rotating front switch.
- Designed for sudden switch-on/switch-off actions.
- Multipolar: 6 poles and 12 contacts.
- Maximum voltage 500V AC

